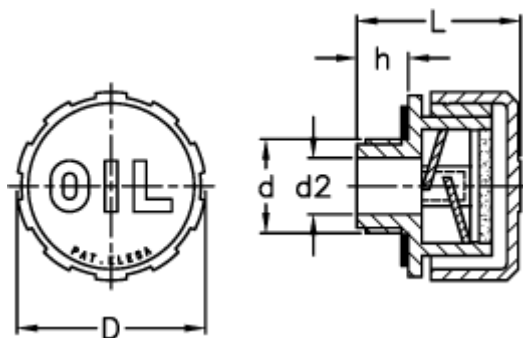


Data Sheet



Article number: 2311054522
Description: E+G Breather plug
SFP.57-1 1/2+F FOAM

Measures



D = 57
d = G 1 1/2
d2 = 28
h = 16.0
L = 44.0